

**Version 3 – Level Probe in plastic housing** **GPP**  
**Electric interface through a top mounted valve connector according DIN 43650.**  
**Case moduled. Protection class IP 65.**

Connection cable with the length of 3m or as required

Connector base DIN 43650

Elektrode lenth available 5 to 4000mm (please specify with your order)

2 - 3 elektrodes

All parts which may touch the medium are made from physiologically harmless materials

For conductive filling level acquisition



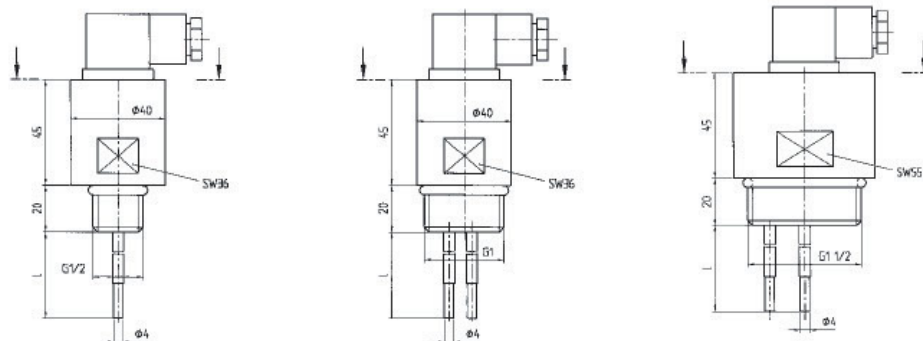
### Technical data

**Mounting method:** Thread  
**Mounting orientation:** any max. 90°C  
**Media temperature:**  
**Media pressure:** max. 10 bar (+60°C)

**Probe-head material:** PPH  
**Electrode material:** V4A / 1.4571 (optional HAC-C4; Titanium)  
**Coating:** Polyolifin (optional Kynar)  
**Sealing ring:** NBR 70

Size	Electrodes	Standard-Model
1/2"	2	GPPE - 2VP3
1"	2	GPPG - 2VP3
1"	3	GPPG - 3VP3
1 1/2"	2	GPPI - 2VP3
1 1/2"	3	GPPI - 3VP3

### Dimensions



### Options

**Distance fastener** Material PPH  
**Lock-nut** Material PPH  
**Mounting bracket** Material V2A / 1.4301  
**Junction cable** with numeric labeled wires

Technische Änderungen vorbehalten / *modifications reserved*