

Version 4 – Level Probe with stainless steel housing
Electric interface through a lateral mounted connector and plug.
Case moduled. Protection class IP 67/68.

GVA

Panel connector

Electrode length available 5 to 4000mm (please specify with your order)

1 - 7 electrodes

For heavy-duty

All parts which may touch the medium are made from physiologically harmless materials (with Polyolefin coating)

For conductive filling level acquisition



Technical data

Mounting method: Thread
Mounting orientation: any
Case temperature: max. +110°C
Media temperature: max. +120°C
 (Polyolefin max. 100°C)
Media pressure: max. 10 bar

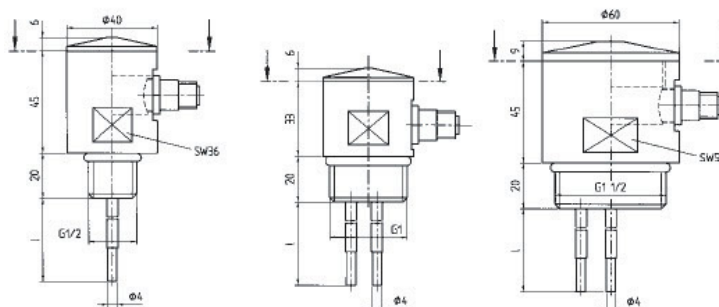
Probe-head material: V2A / 1.4305 Cover and Cable gland brass, nickel-plated
Electrode material: V4A / 1.4571 (optional HAC-C4; Titanium)
Coating: Kynar (optional Polyolefin)
Sealing ring: FPM

Size	Electrodes	Standard-Model
1/2" 1	2	GVAE - 2VK4
" 1" 1"	2	GVAE - 2VK4
1 1/2"	3	GVAE - 3VK4
	4	GVAG - 4VK4
	2	GVAG - 2VK4

Size	Electrodes	Standard-Model
1 1/2"	3	GVAI - 3VK4
1 1/2"	4	GVAI - 4VK4
1 1/2"	5	GVAI - 5VK4
1 1/2"	6	GVAI - 6VK4
1 1/2"	7	GVAI - 7VK4

⚠ To order the Polyolefin-coated version insert „P“ instead of „K“ – e.g. „GVAE - 1V P1“.

Dimensions



Optionen

Mounting bracket Material V2A / 1.4301
Junction cable with numeric labeled wires

Technische Änderungen vorbehalten / modifications reserved